

Dell™ PowerVault™ 20xS Storage System Documentation Update

The following information updates your *Dell PowerVault 20xS Storage System Installation and Service Guide*.

Rack Kit Contents

The rack kit includes the following items:

- Two support rails
- Two adjustable rail mounting flanges
- Two mounting ears, usually preinstalled if you ordered a rack-mounted system
- Twelve 10-32 x 1/2-inch Phillips pan-head screws
- Four 6-32 x 3/8-inch Phillips flat-head screws, usually preinstalled if you ordered a rack-mounted system
- Eight flat metal washers
- Eight square alignment washers



NOTE: Some parts may be preinstalled.

Installing the Rail Assemblies in the Rack



WARNING: If you are installing more than one storage system, install the first storage system in the lowest position to help prevent the rack from tipping and injuring someone when the storage system is pulled out of the rack on the rail assemblies.

To install the rail assemblies in the rack, perform the following steps:

1. Ensure that there is enough room in the rack to install the storage system. The height of the storage system is 3Us (U = 1 3/4 inches).



* 1 9 1 4 P *

2. If the two adjustable rail mounting flanges are not already attached to the support rails, attach one flange to one of the support rails using two 10-32 x 1/2-inch Phillips-head screws, as shown in Figure 1. Do not tighten the screws at this time.

If the two rail mounting flanges are already attached to the support rails, ensure that the two 10-32 x 1/2-inch Phillips-head screws are slightly loose, allowing the flanges to slide freely.

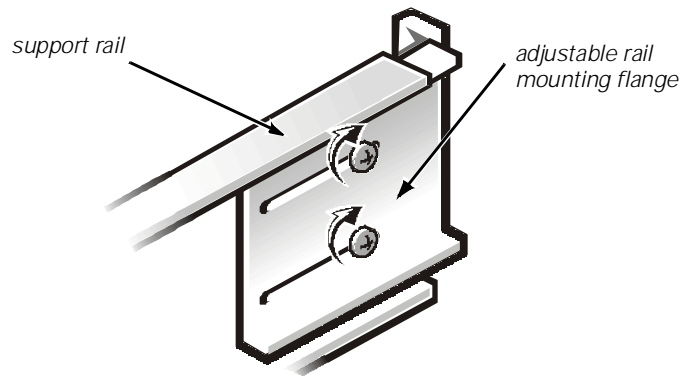


Figure 1. Adjustable Rail Mounting Flange

3. Place the flange of the support rail assembly behind the right front vertical rail of the rack. Thread two 10-32 screws with a flat washer and a square alignment washer and push them through the front vertical rail of the rack and into the two center-most screw holes of the rail mounting flange (see Figure 2). Ensure that the rail is centered vertically within the 3U mounting area.

Tighten the screws. Ensure that the full surface of the support rail flange comes in contact with the surface of the vertical rail.

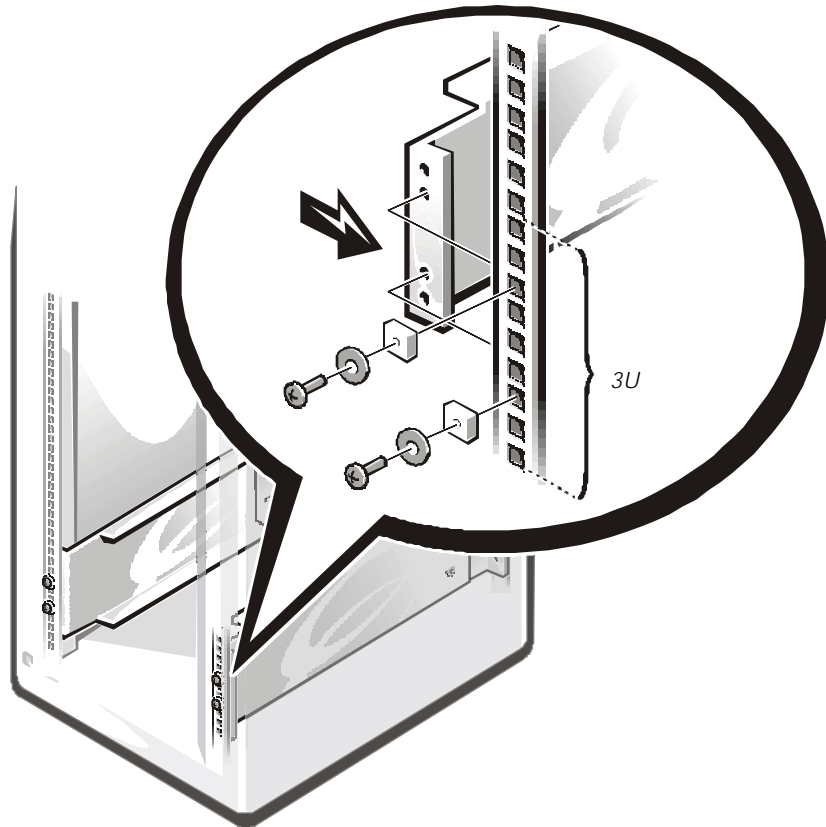


Figure 2. Attaching the Support Rail Assembly to the Front Vertical Rail of the Rack

4. Slide the adjustable rail mounting flange out until it meets the rear vertical rail of the rack. Ensure that the rail is level from front to back.
 5. Thread two 10-32 screws with a flat washer and a square alignment washer and push them through the rear vertical rail of the rack and into the two holes of the adjustable rail mounting flange (see Figure 3). Tighten the two screws.
 6. Tighten the two 10-32 screws that hold the adjustable rail mounting flange to the support rail.
 7. Repeat steps 3 through 6 to install the second support rail.
-

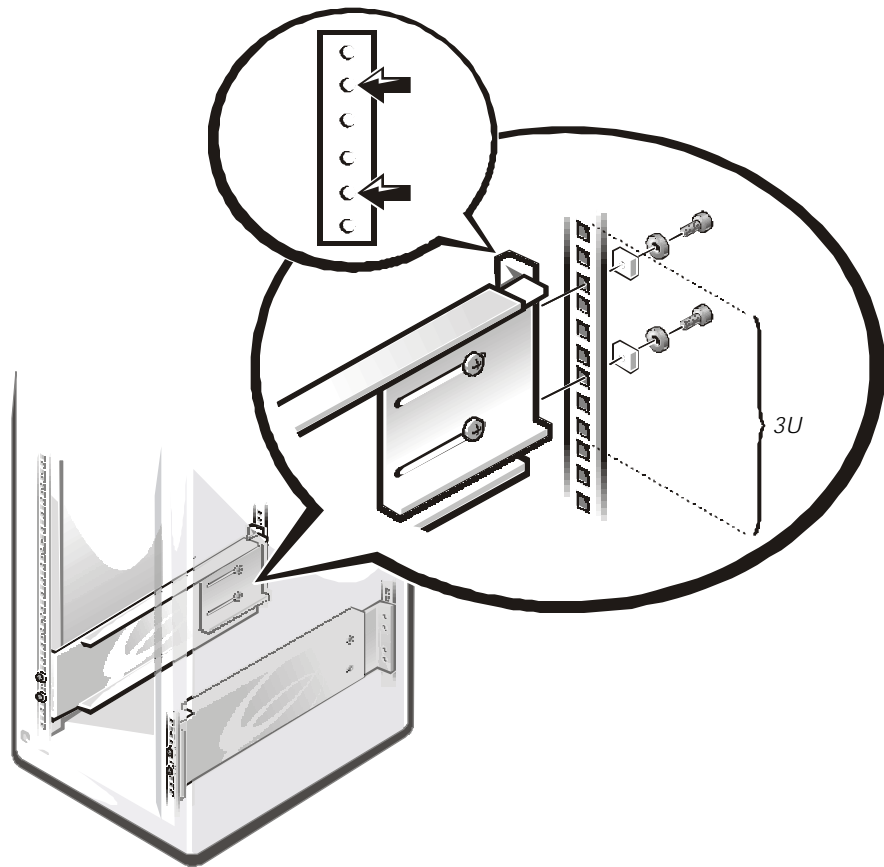


Figure 3. Attaching the Support Rail Assembly to the Rear Vertical Rail of the Rack

Information in this document is subject to change without notice.

© 1999 Dell Computer Corporation. All rights reserved. Printed in the U.S.A.

Reproduction in any manner whatsoever without the written permission of Dell Computer Corporation is strictly forbidden.

Trademarks used in this text: *Dell*, the *DELL* logo, and *PowerVault* are trademarks of Dell Computer Corporation. Other trademarks and trade names may be used in this document to refer to either the entities claiming the marks and names or their products. Dell Computer Corporation disclaims any proprietary interest in trademarks and trade names other than its own.
